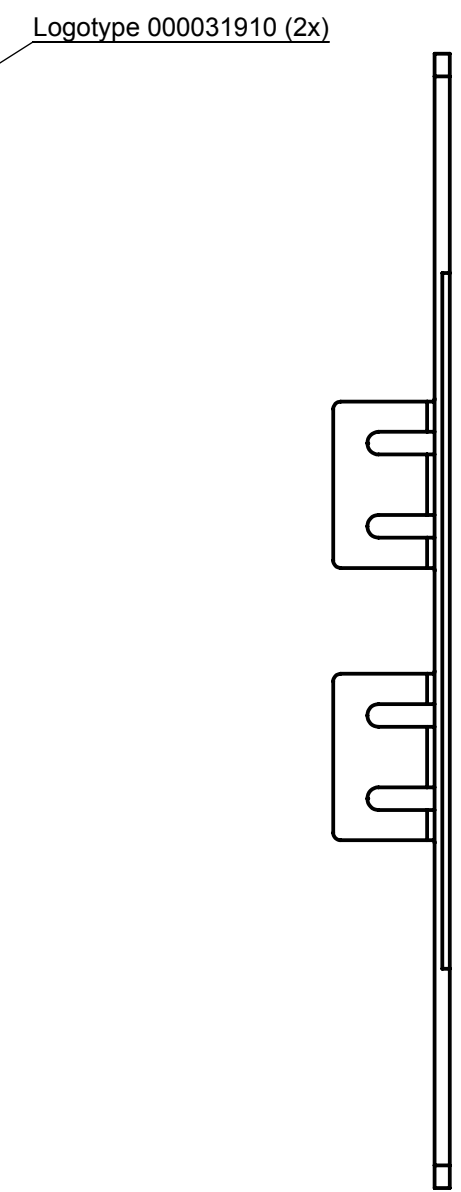
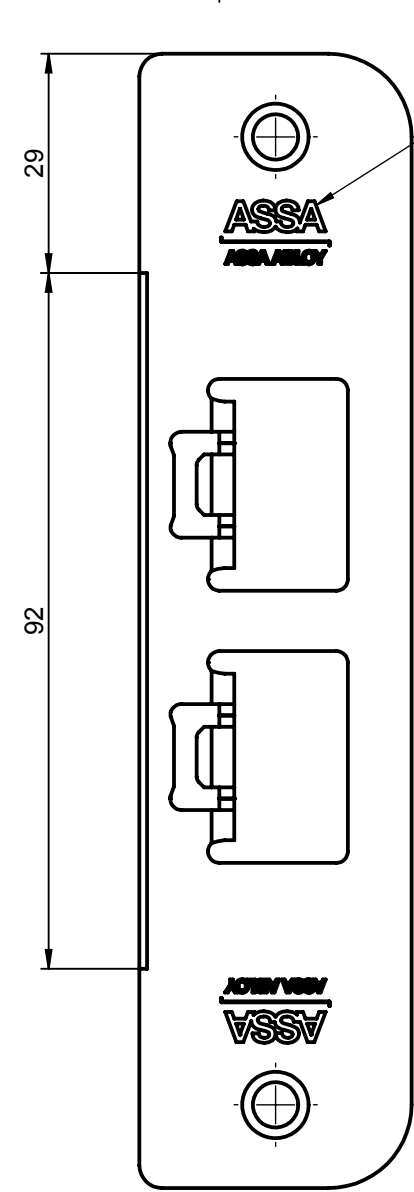
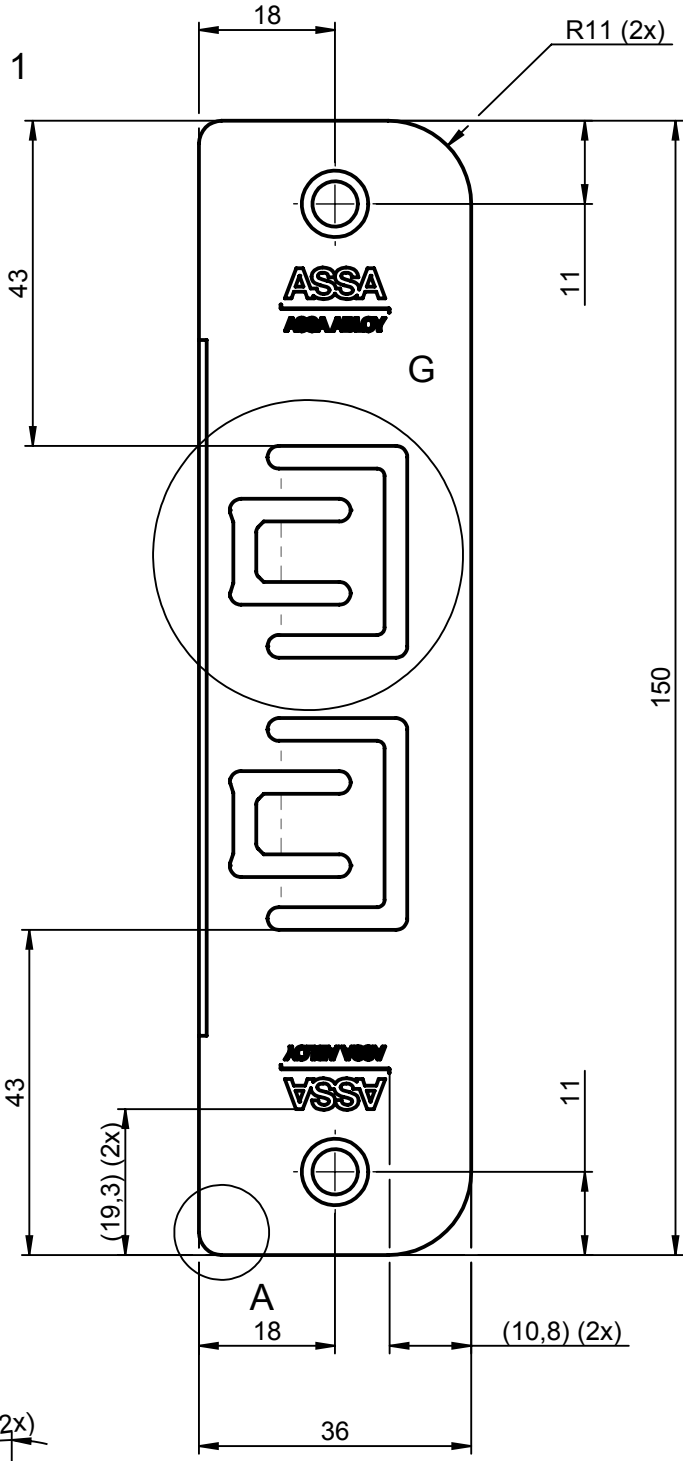
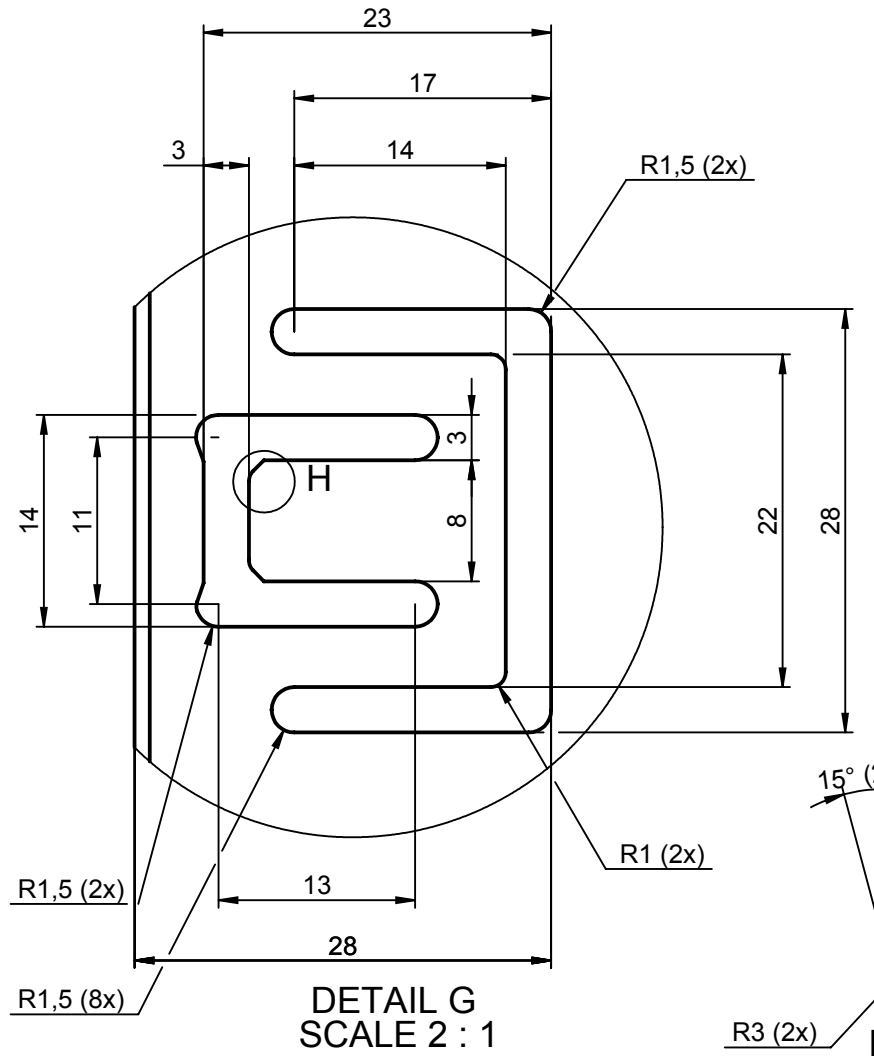
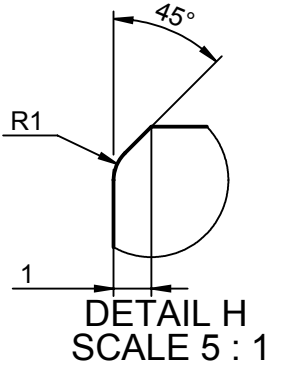
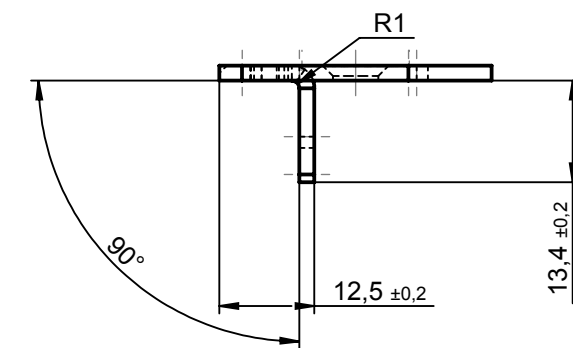
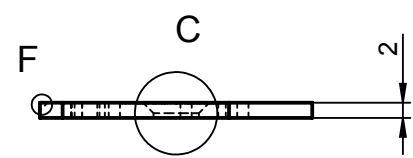
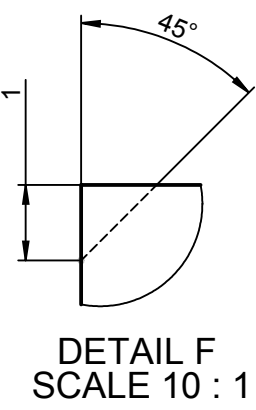
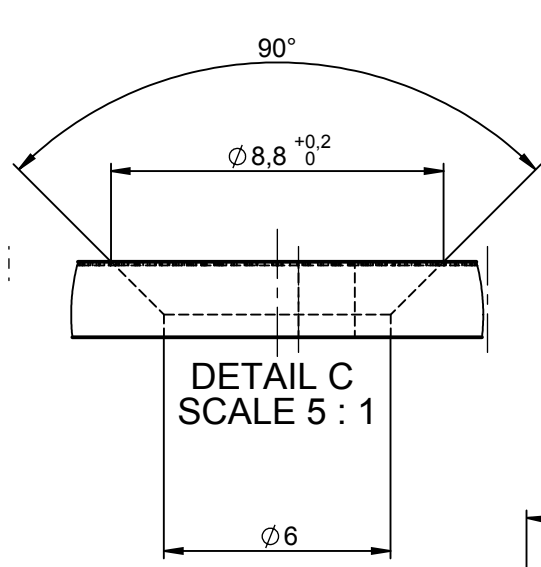


This document is our property and shall not without our permission be altered, copied, used for manufacturing or communicated to any other person or company.

Revision	Date	Sign
6	2012-06-14	MaHi



Dimensiontable 816738

Surface:			Material:			General tolerance:		
			SS-EN 10 130 - DC01			ISO 2768-m		
Volume:	Weight:	Surface area:	created:	designed by:	changed by:	Scale:	Projection:	
9347.03	9.35	11007.42	2012-06-13	JoHi	PaPu	1:2 (A3)		
<b>ASSA ABLOY</b> ASSA OEM			Striking plate 12.5 mm Interim			Drawing number:		
						357201		
Document:		Item number:		Revision:				
01		000016541		6				

Approved 2012-08-30

Part/assy:000038039

Configuration:000016541

SHEET 1 OF 1

Note: Later approved revision exists